

MIRACLE-S10

ALL NEW! SUPER FAST! SUPER STRONG!

With all the roles the MIRACLE series, it has been an object of desire for user, and the subject of RED TECHNOLOGY. It has studied and developed innovations safety, performance and effectiveness.

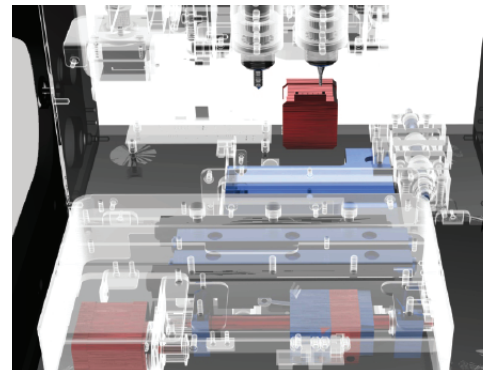
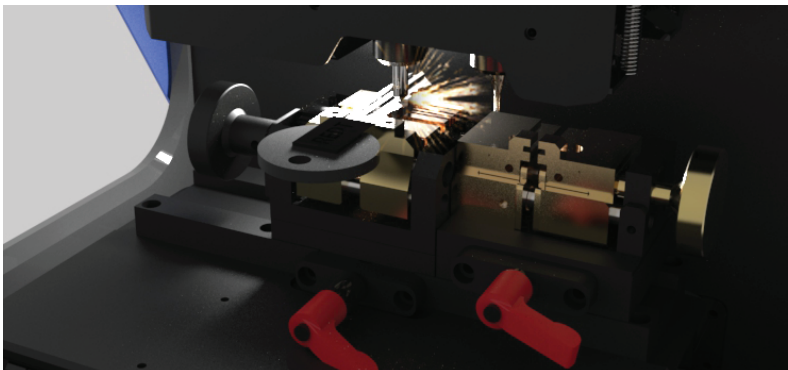
From AI programming to Ergonomic hardware design.



Specification

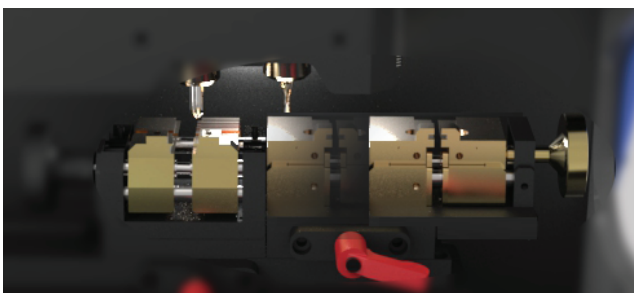
Size	362mm(W) x 427mm(D) x 505mm(H)
Resolution	(XY) 0.005mm / (Z)0.00125mm
Spindle motor power	109W DC Motor
Power consumption	Stand-by 30W / Operating 135W
Weight	33Kg
Voltage	AC 100~240V 50/60Hz
Work Space	X:67mm Y:56mm Z:47mm(Nonmetal Z:24mm)
Tool Diameter	6mm
Cutter Holder	Set-Screw
Display	10 inch Tablet
Interfaces	USB, Bluetooth
Operating System	Windows
Temperature / Humidity	5°C ~ 40°C / 35% ~ 80%

- 10" Touch screen eases operating the device.
- Newly developed 4th-generation XY platform equipped
- Remarkably high performance thanks to stronger motor and the 4th-generation-platform
- Dual built-in cutter system for less cutter exchange
- Dual built-in, sliding clamp system for less clamp exchange
- New clamp set with interchangeable jaws for easier jaw change
- Full-automatic key and clamp measurement
- Larger space for clamp manipulation
- Built-in bluetooth wireless communication
- Artificial Intelligent(AI) software that automatically decides best cutting method
- Remarkably improved CodeMaster2 version 10 software supplied



Remarkably fast cutting speed

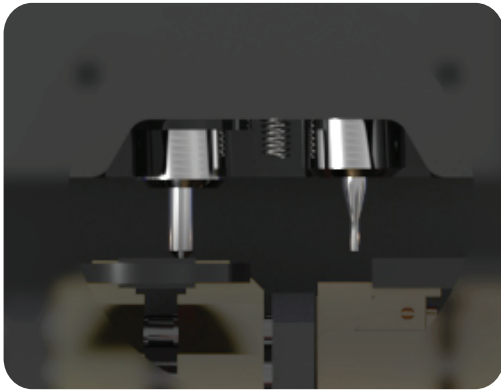
- Much faster key cutting achieved thanks to a stronger motor and newly developed stable platform
- Key cutting is almost twice as faster than the earlier models



Dual built-in,sliding clamp system for less clamp exchange

- Two built-in clamps are equipped
- One is fixed automotive key clamp and the other is interchangeable clamp
- Necessity of clamp exchange reduced dramatically
- Active clamp for the cutting key is set by sliding the clamp set to the left or right and fastening

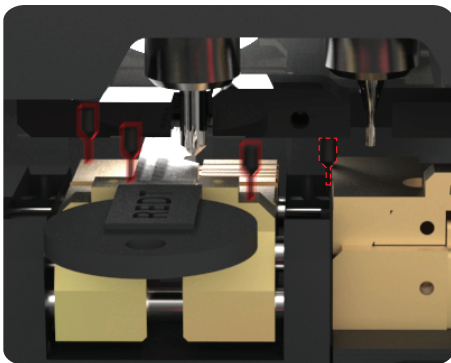
Dual built-in cutter system for less cutter exchange



- Two built-in spindles equipped
- One is for the endmill cutter and the other is for a dimple cutter
- Necessity of cutter exchange to cut different types of keys reduced dramatically
- Machine automatically decides which tool to use when cutting a key
- Dimple-and-snake mixed key cutting becomes dramatically easy

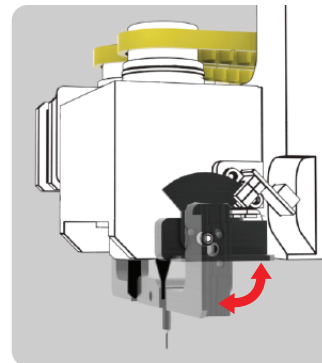
Full-Automatic Key and Clamp Measurement

- Un-calibrated clamp or jaw is automatically calibrated
- Key dimension and position is automatically measured
- Clamp calibration is automatically performed
- Built-in decoder offers the key and clamp measurement feature



Auto-folding decoder adapted

- Equipped with auto-folding decoder module
- Initially hidden and automatically appears when needed
- It reduces moving distance and drastically saves time when doing calibration, decoding and key measurement



Easier Manipulation

- The latest Microsoft tablet adapted
- Tablet with a large 10 inch screen is equipped for the machine
- Faster, larger, more responsive and more stable than the one used for former models
- Easier to use thanks to a larger screen and already embedded CodeMaster2 software



CodeMaster2 Version 10

- New CodeMaster2 version 10 is offered
- Totally new and user- friendly design has been successfully adapted
- Bitting from code(code search) and searching for available bitting features is also offered
- Residential and vehicle key database is offered
- Data scroll by swipe is offered



Newly developed 4th-generation XY platform

- High-precision ball screw applied
- A high-precision and stable guide system applied
- Moves with a much stronger torque
- Completely shielded structure

Built-in Bluetooth wireless communication

- Bluetooth wireless communication equipped
- The machine is shared with several tablet PCs or computers via Bluetooth