

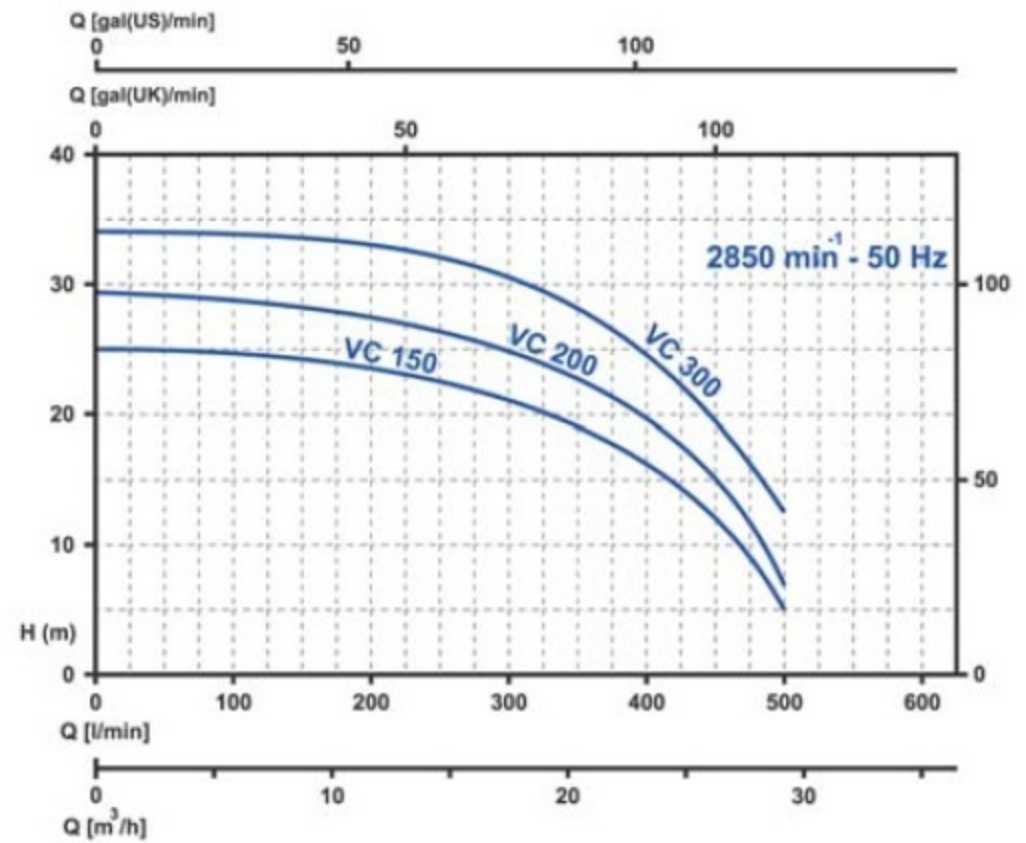
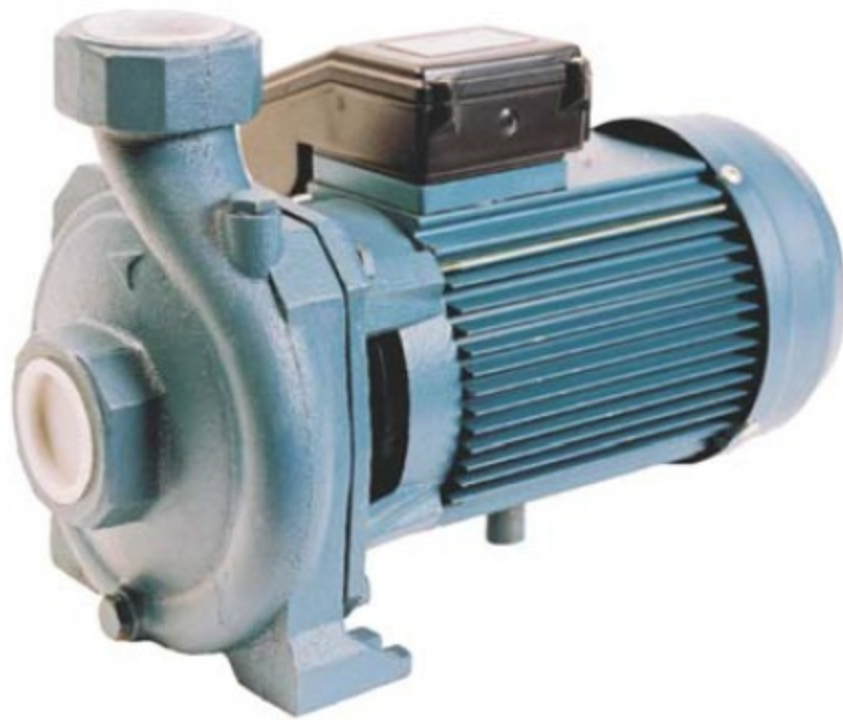


บริษัท โปร-แมคคัลนิคส์ จำกัด
PRO-MECHANIC CO.,LTD.

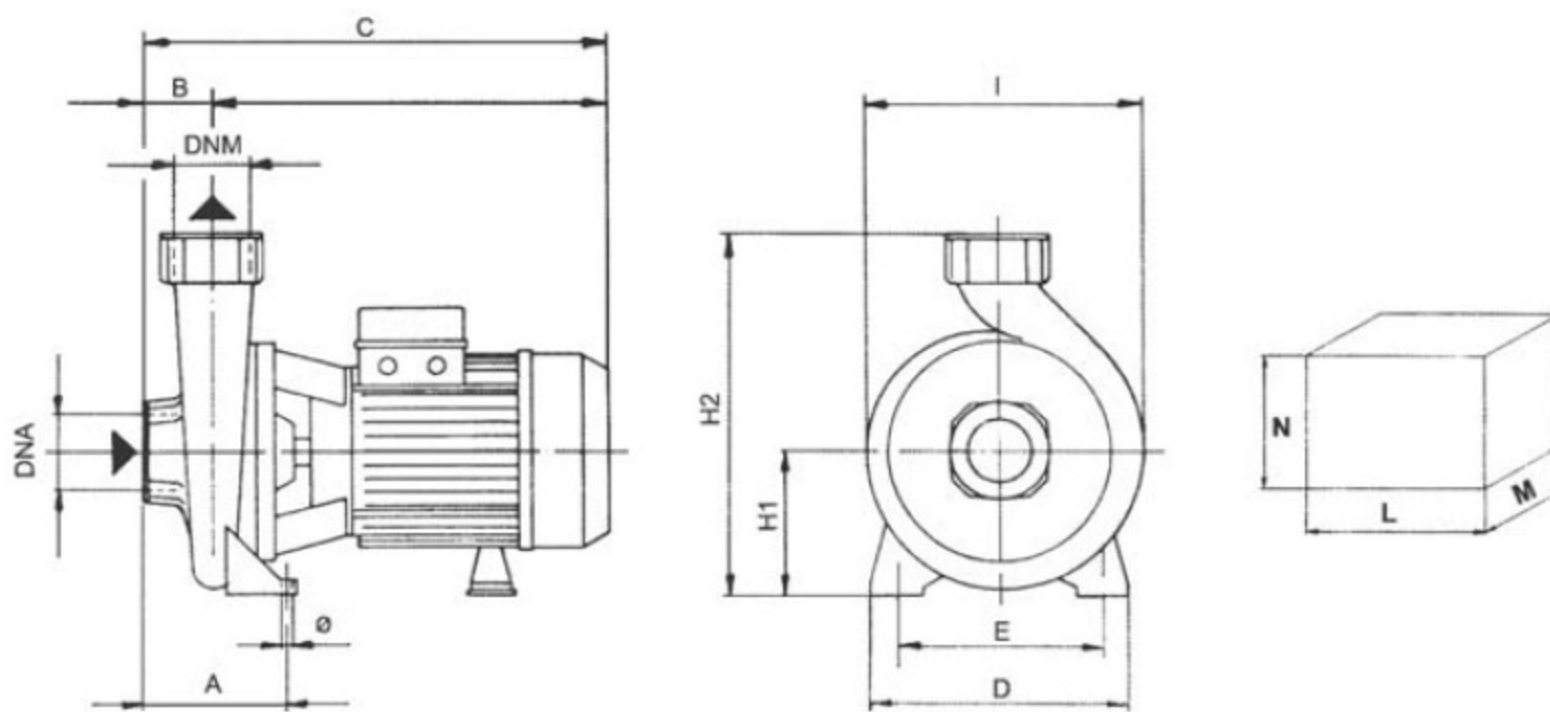
WWW.PROMECHANICS.CO.TH

Series VC

SINGLE IMPELLER CENTRIFUGAL ELECTRIC PUMPS



TYPE - MODEL		Nominal Power		Input Power		I (A)		Capacity (m³/h - l/min)								DNA	DNM	ราคา	
1~ Singlephase	3~ Threephase	kW	HP	1~	3~	1x230V 50Hz	3x400V 50Hz	3	6	12	18	22	24	27	29			37	220V 50Hz 380V 50Hz
								Total head (m)											
VC 150	VC 150 T	1.1	1.5	1.9	1.9	9.2	3.4	26	25	23.5	19.5	15.5	13.5	7	5		2"G	2"G	
VC 200	VC 200 T	1.5	2	2.49	2.36	11.5	4.2	29.5	29	26	22	18.5	16	9.5	6.5		2"G	2"G	
VC 300	VC 300 T	2.2	3	3.1	3.1	13.6	5.3	35	34	32.5	29	25.5	23.5	21.5	18		2"G	2"G	



TYPE	DIMENSION (mm.)											PACKING (mm.)			Weight Kg.
	A	B	C	D	E	I	Ø	H1	H2	DNA	DNM	N	L	M	
VC 150	105	52	370	200	160	215	9.5	110	280	2"G	2"G	300	390	230	22
VC 200	105	52	370	200	160	215	9.5	110	280	2"G	2"G	300	390	230	24
VC 300	105	52	410	200	160	215	9.5	110	280	2"G	2"G	300	430	230	32

Cast iron pump body , Cast iron pump bracket , Brass impeller , Stainless steel shaft or mild steel , Max temperature of pumped liquid 90 °C for Brass , max working pressure 6 bar , Carbon/Ceramic Mechanical Seal , Motor T.E.F.C 2 poles Insulation Class F Protection IP 55 or IP 44