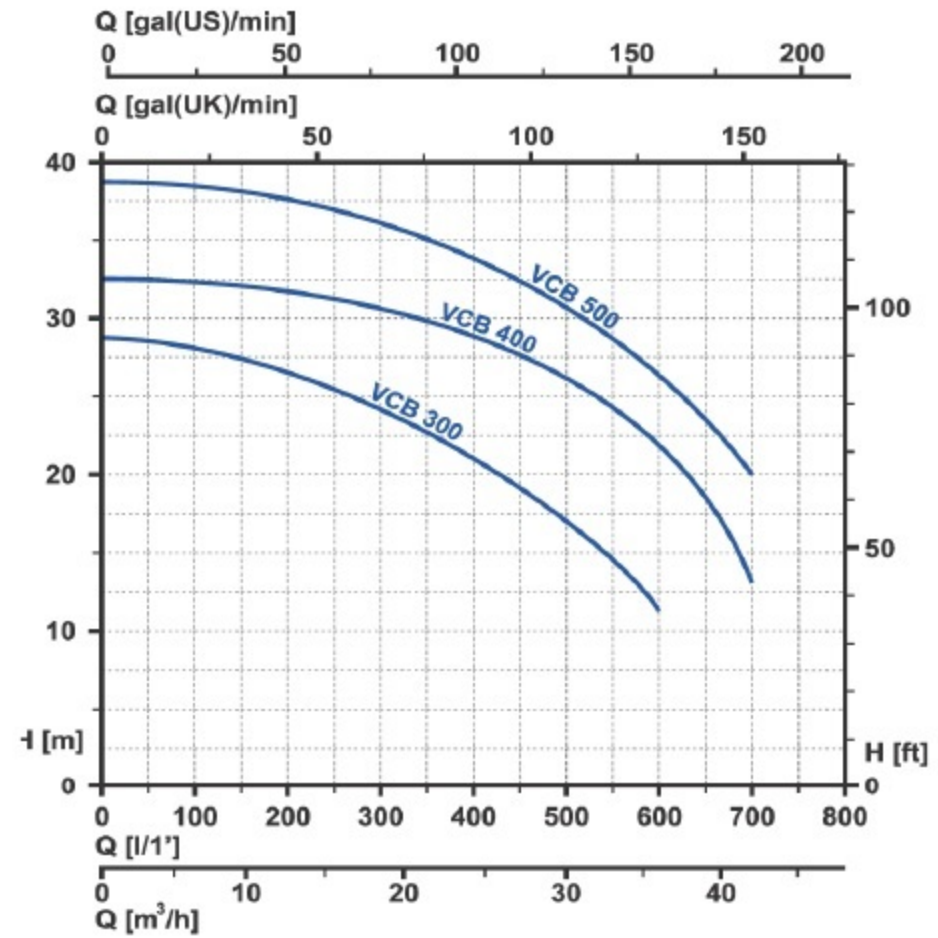




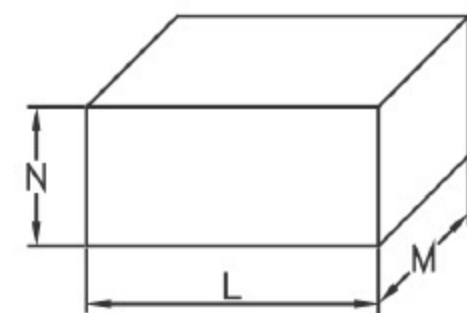
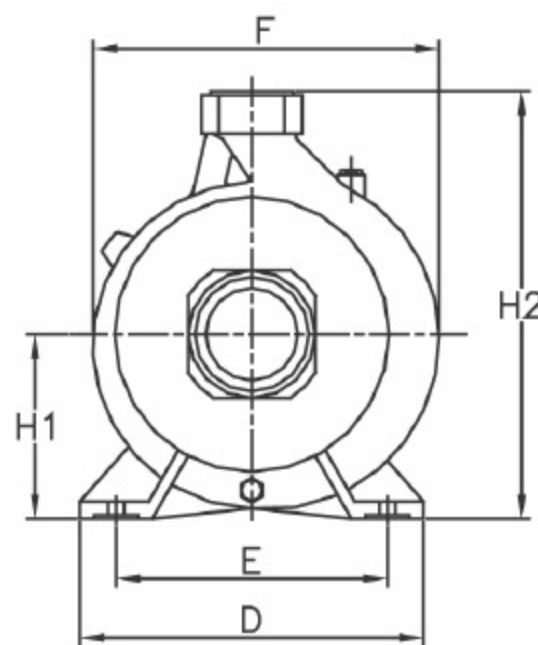
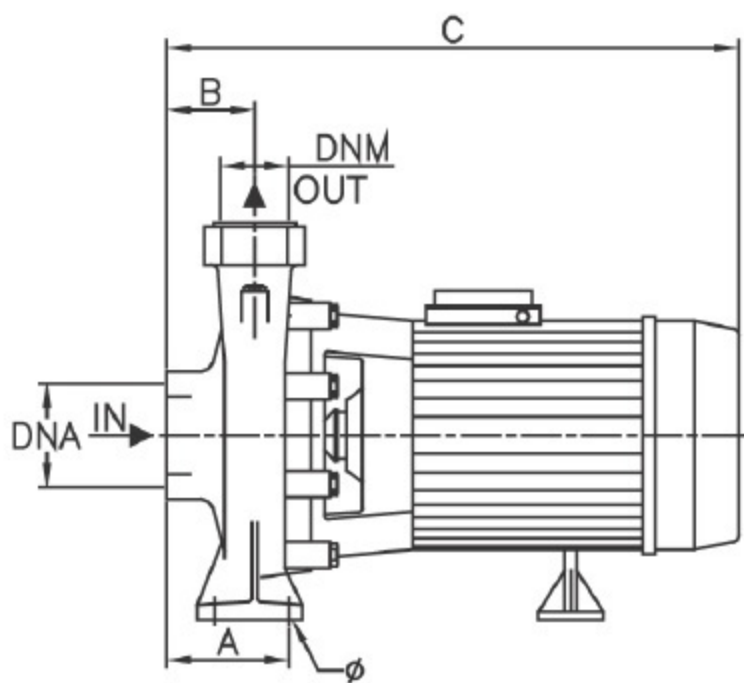
บริษัท โปร-แมคคัลนิกส์ จำกัด
PRO-MECHANIC CO.,LTD.

WWW.PROMECHANICS.CO.TH

Series VCB SINGLE IMPELLER CENTRIFUGAL ELECTRIC PUMPS



TYPE - MODEL		Nominal Power		Input Power		I (A)		Capacity (m³/h - l/min)							DNA	DNM	ราคา	
1~ Singlephase	3~ Threephase	kW	HP	1~	3~	1x230V 50Hz	3x400V 50Hz	6	12	18	24	30	36	42			220V 50Hz	380V 50Hz
								Total head (m)										
VCB 300	VCB 300 T	2.2	3	2.95	2.84	13.5	5.1	27	26.5	24	21	18	11.5		3'G	2'G		
VCB 400	VCB 400 T	3	4	4.6	4.2	20.5	7.6	32.5	31.5	30	27	26	19	13	3'G	2'G		
-	VCB 550 T	4	5.5	-	5.1	-	10	38	37.7	36	34	30	26	20	3'G	2'G		



TYPE	DIMENSION (mm.)											PACKING (mm.)			Weight Kg.
	A	B	C	D	E	F	∅	H1	H2	DNA	DNM	N	L	M	
VCB 300T	105	70	385	240	190	240	14	126	306	3 G	2 G	360	460	270	34.5
VCB 400T	105	70	425	240	190	240	14	126	306	3 G	2 G	360	460	270	33.5
VCB 550T	105	70	445	240	190	240	14	126	306	3 G	2 G	360	460	270	39

Cast iron pump body, Cast iron pump bracket, Brass impeller, Stainless steel shaft or mild steel, Max temperature of pumped liquid 90 °C, max working pressure 6 bar for VJ-100 8 bar for VJ-150,200 Carbon/ceramic Mechanical Seal, Motor T.E.F.C 2 poles Insulation Class F Protection IP 55 or IP44