



บริษัท โปร-แมคคัลนิคส์ จำกัด
PRO-MECHANIC CO.,LTD.

WWW.PROMECHANICS.CO.TH

**Series VMS
SINGLE IMPELLER CENTRIFUGAL ELECTRIC**



TYPE - MODEL	NOMINAL POWER MOTOR		I (A)	Capacity (m3/h l/min)											ราคา		
				100	150	200	250	300	333	400	450	500	550	600	220V 50Hz	380V 50Hz	
1- Singlephase	HP	kW	3x400V 50Hz	6	9	12	15	18	20	24	27	30	33	36			
				Total head (m)													
VMS 32-160 C	2	1.5	4	28	26.5	24.5	22	19	17								
VMS 32-160 B	3	2.2	5.2	35.5	34.5	32.5	30.5	27.5	25.5								
VMS 32-200 C	5.5	4	9.4	53	51.5	49.5	47	43.5	40.5								
VMS 32-200 B	7.5	5.5	14.2	69	67.6	65.5	63	60	56								
				200	250	300	333	400	450	500	550	600	65	700			
				12	15	18	20	24	27	30	33	36	39	42			
VMS 40-160 B	4	3	7.4	30	29	28.5	27.3	26.2	25.4	24	22.5	21	19.2	17.5			
VMS 40-160 A	5.5	4	9.9	38	37	36	35	34	33	31.3	30	28.5	27	25			
VMS 40-200 B	7.5	5.5	13.2	46	45	44	43.5	42	41	40	38.5	37	35.1	33			
VMS 40-200 A	10	7.5	16.8	56.5	56	55.3	55	53.5	52.5	51.2	49.8	48.5	47	45			
				333	400	450	500	550	600	650	700	800	1000	1200			
				20	24	27	30	33	36	39	42	48	60	72			
VMS 50-125 B	4	3	7.4		20.5	20	19.5	19	18.5	18	17.3	15.5	12.3	8			
VMS 50-125 A	5.5	4	9.9		26	25.9	25.7	25.3	24.7	24.2	23.3	22.2	19	14			
VMS 50-160 B	7.5	5.5	11.6		31	30.5	30	29.5	29	28	27.6	26	22.5	18			
VMS 50-160 A	10	7.5	15.8		39	38.5	38	37.5	37	36.5	36	34.5	31	26			
				0	600	700	900	1200	1500	1800	1900	2000	2100	2200			
				0	36	42	54	72	90	108	114	120	126	132			
VMS 65-125 B	7.5	5.5	12.3	27	25.5	24.4	22.4	19.1	15.5	11.7	10.4						
VMS 65-125 A	10	7.5	15.9	32	30.5	29.7	27.8	24.5	20.8	16.8	15.4	14					
VMS 65-160 C	10	7.5	19.5	32	31.3	30	28.3	25.4	21.7	17.5	16	14.5					

Close coupled centrifugal electric pumps single impeller with pump casing manufacture and performances according to DIN 24255 UNI 7457 norms.

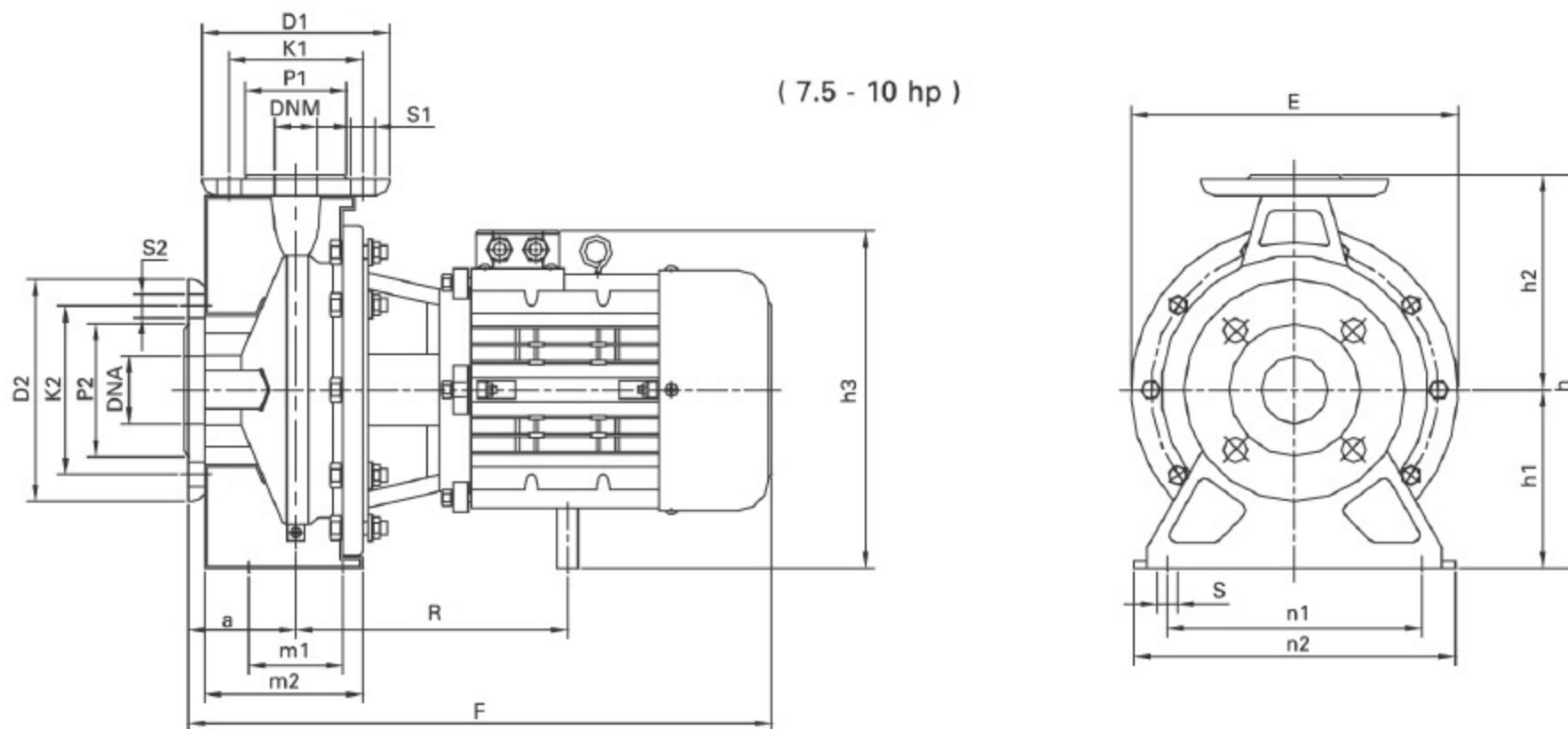
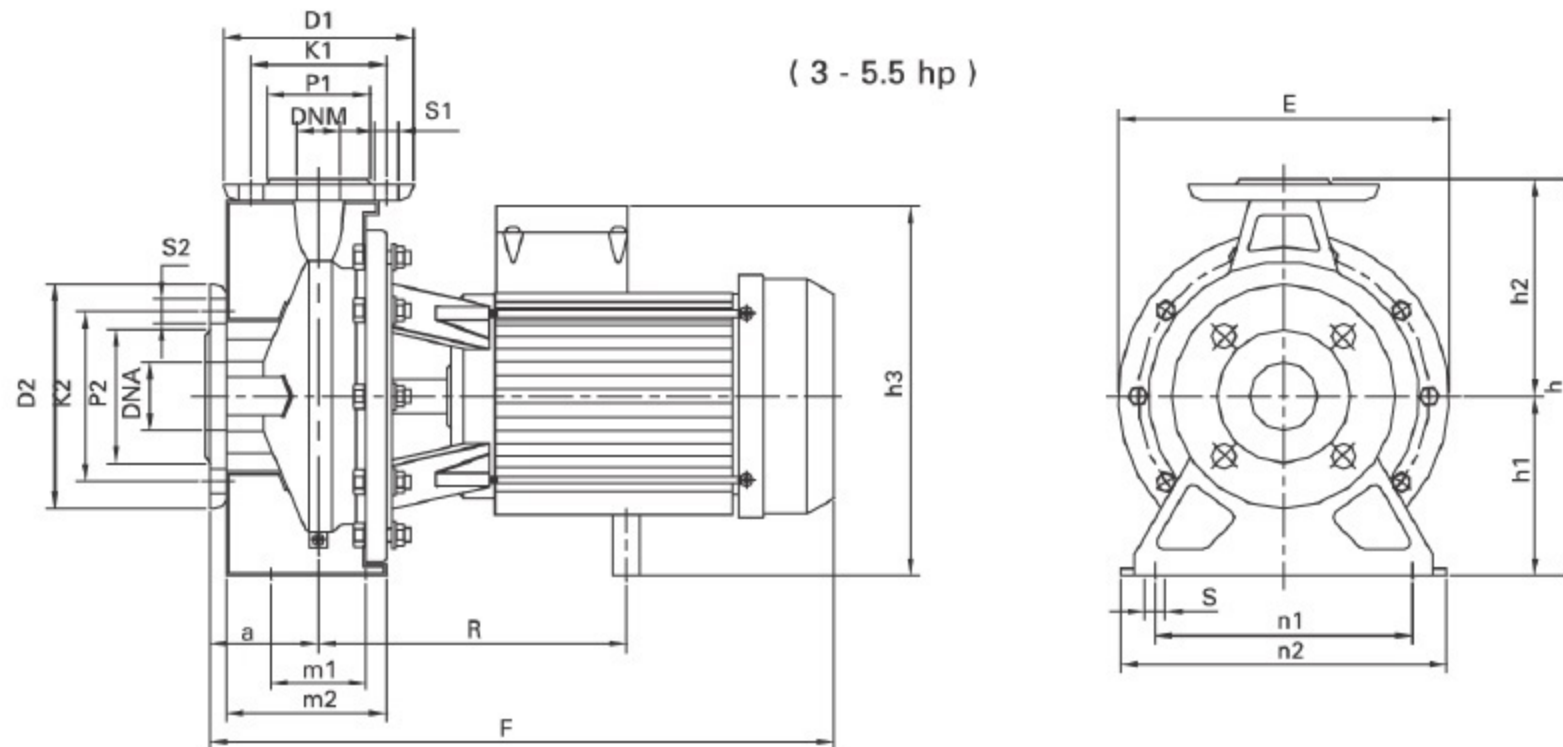
Cast iron pump body , cast iron pump bracket , Brass impeller , Stainless steel shaft or mind steel , Max temperature of pumped liquid 90 oC , max working pressure 10 bar , Carbon/ceramic Mechanical Seal , Motor T.E.F.C 2 poles Insulation Class F Protection IP55



บริษัท โปร-แมคคัลนิคส์ จำกัด
PRO-MECHANIC CO.,LTD.

WWW.PROMECHANICS.CO.TH

Series VMS SINGLE IMPELLER CENTRIFUGAL ELECTRIC PUMPS



Model	E	F	h	h1	h2	h3	a	m1	m2	n1	n2	S	B	R	P	L1	L2	L3	L4	S3	D2	K2	P2	S2	D1	K1	P1	S1	DNADNM	Weight (kg.)	
VMS 32-160 B (3 hp)	244	460	292	132	160	272	80	70	118	190	240	15	-	227	-	-	-	-	-	-	165	125	99	18	140	100	76	18	50	32	30.5
VMS 32-200 C	295	519	340	160	180	297	80	70	118	190	240	15	-	233	-	-	-	-	-	-	165	125	99	18	140	100	76	18	50	32	43
VMS 32-200 B	295	582	340	160	180	340	80	70	118	190	240	15	-	233	-	-	-	-	-	-	165	125	99	18	140	100	76	18	50	32	63
VMS 50-125 B (4 hp)	244	479	292	132	160	269	80	70	118	190	240	15	-	238	-	-	-	-	-	-	185	145	118	18	165	125	99	18	65	50	36
VMS 50-160 B (7.5 hp)	352	612	292	132	160	350	100	70	118	190	240	15	-	275	-	-	-	-	-	-	185	145	118	18	165	125	99	18	65	50	62
VMS 40-200 A (10 hp)	352	612	340	160	180	350	100	70	136	212	265	15	-	275	-	-	-	-	-	-	185	145	118	18	150	110	84	18	65	40	68
VMS 65-125 C	352	612	340	160	180	350	100	70	142	212	265	15	-	275	-	-	-	-	-	-	200	160	132	18	185	145	118	18	80	65	63
VMS 65-125 B	352	612	340	160	180	350	100	70	142	212	265	15	-	275	-	-	-	-	-	-	200	160	132	18	185	145	118	18	80	65	62
VMS 65-160 D	352	612	340	160	180	350	100	70	142	212	265	15	-	275	-	-	-	-	-	-	200	160	132	18	185	145	118	18	80	65	67